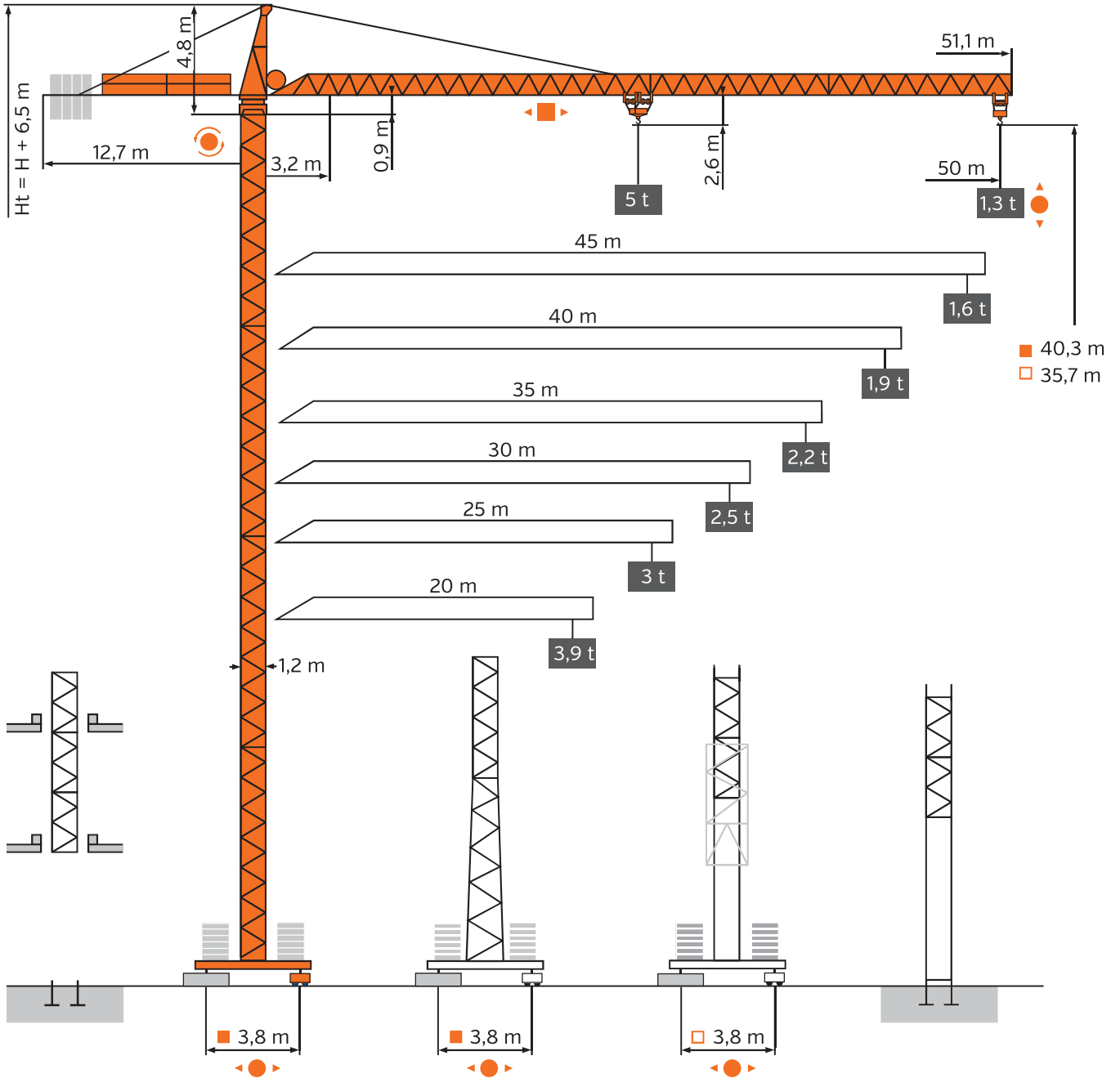


POTAIN CITY CRANE MC 85b

TOWER CRANE SPECIFICATION



SYDNEY CONTACTS

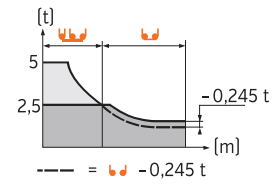
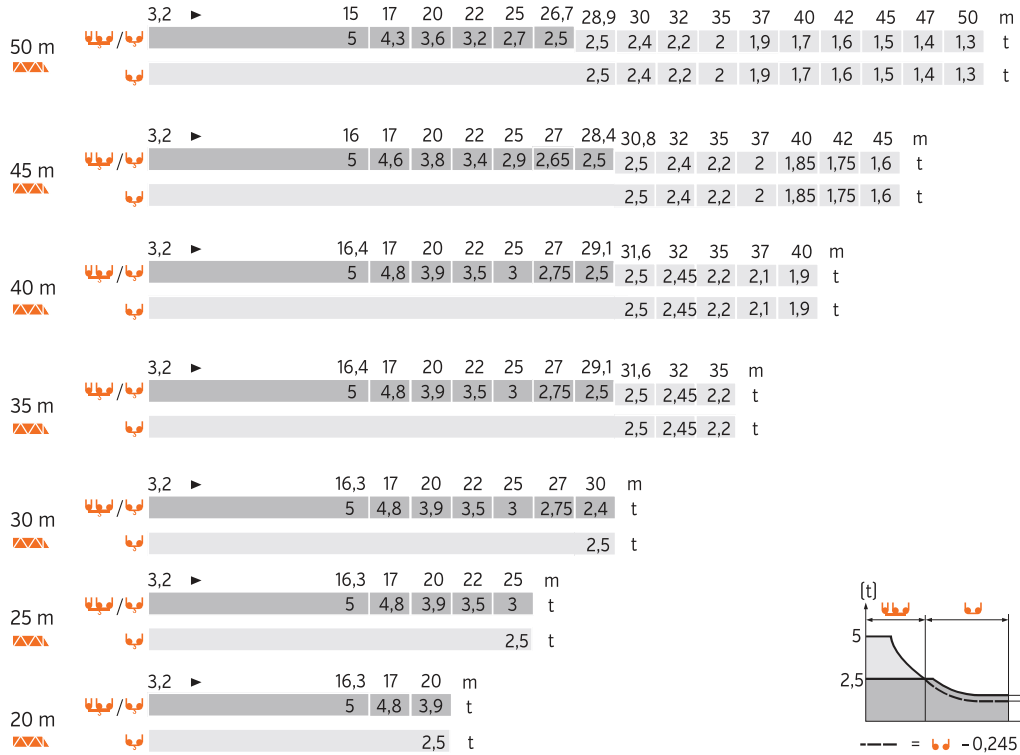
Pete Hardiman
0417 422 941
pete@hardiquip.com

Steve Hardiman
0417 269 170
steve@hardiquip.com

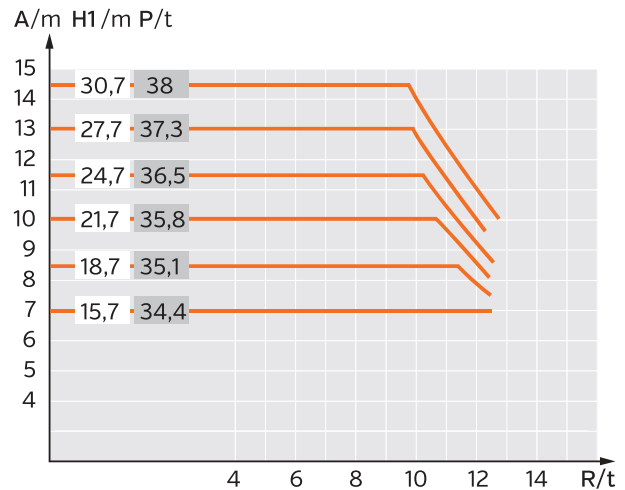
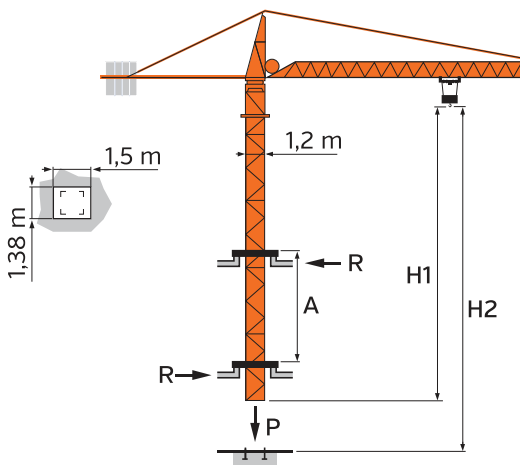
POTAIN CITY CRANE MC 85b

TOWER CRANE SPECIFICATION

LOAD CURVES



CLIMBING CRANE



SYDNEY CONTACTS

Pete Hardiman
0417 422 941
pete@hardiquip.com

Steve Hardiman
0417 269 170
steve@hardiquip.com